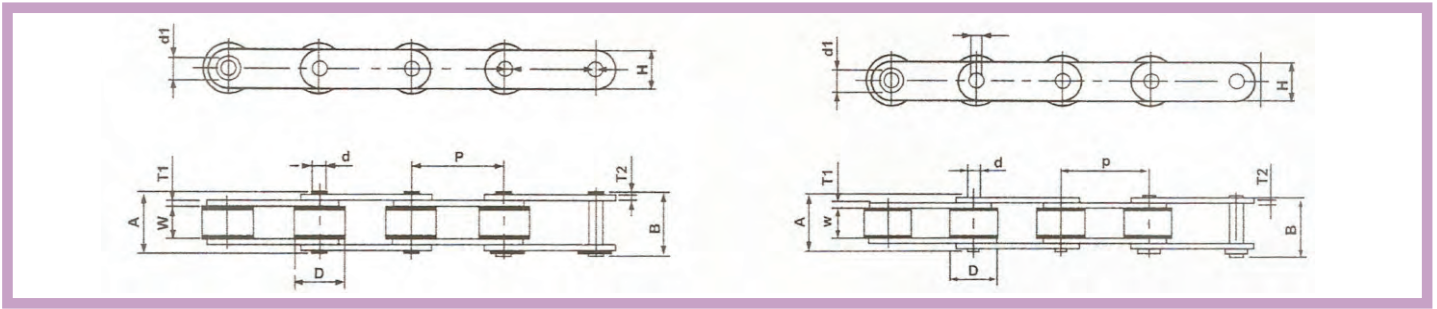


HOLLOW & SOLID BEARING PIN CONVEYOR CHAINS



SOLID PIN CONVEYOR CHAINS

TIDC Chain No.	Pitch (P)	Width bet. Inner Plates (w) (Min.)	Roller Dia (D) (Max.)	Bush Dia (d1)	Plate Depth (H)	Plate Thickness		Pin Dia (d) (Max)	B/Pin Length (B) (Max.)	C/Pin Length (B) (Max.)	Average Weighth (KG/M)	Tensile Strength (KGF) (MIN)	Price Rs. Per MTR.
						Inner (T1)	Outer (T2)						
G 081 02	50.80	15.00	31.80	18.85	26.29	4.00	4.00	13.80	37.80	43.00	4.47	3,800	
G 101 02	63.50										3.88		
G 121 02	76.20										3.65		
G 161 02	101.60										3.07		
G 201 02	127.00										2.80		
G 241 02	152.40										2.61		
G 121 03	76.20	19.05	47.62	25.20	36.00	5.56	4.00	18.26	46.80	51.40	7.46	10,000	
G 161 02	101.60										6.20		
G 201 03	127.00										5.50		
G 241 03	152.40										5.03		
G 281 03	177.80										4.75		
G 321 03	230.20										4.45		
G 361 03	228.60										4.28		
G 161 04	101.60	25.40	66.67	34.25	50.80	6.30	5.00	26.92	57.60	61.60	13.46	17,000	
G 201 04	127.00										11.77		
G 241 04	152.40										10.50		
G 281 04	177.80										9.75		
G 321 04	203.20										9.00		
G 401 04	254.00										8.12		

Dimensions in mm

HOLLOW PIN CONVEYOR CHAINS

TIDC Chain No.	Pitch (P)	Width bet. Inner Plates (w) (Min.)	Roller Dia (D) (Max.)	Bush Dia (d1)	Plate Depth (H)	Plate Thickness		Pin Dia (D) (Max)	Pin Bore (G) (Max.)	B/Pin Length (A) (Max.)	C/Pin Length (B) (Max)	Average Weighth (Kg/m)	Tensile Strength (KGF) (MIN)	Price Rs. Per MTR.
						Inner (T1)	Outer (T2)							
G082 01	50.80	15.00	31.80	18.85	26.29	4.00	4.00	13.80	10.10	37.20	39.00	4.11	3,000	
G102 01	63.50											3.59		
G122 01	76.20											3.27		
G162 01	101.60											2.90		
G202 01	127.00											2.66		
G242 01	152.40											2.49		
G122 02	76.20	19.05	47.62	25.20	36.00	5.56	4.00	18.26	13.20	47.10	48.80	6.84	8,000	
G162 02	101.60											5.74		
G202 02	127.00											5.12		
G242 02	152.40											4.72		
G282 02	177.80											4.45		
G322 02	230.20											4.22		
G362 02	228.60											4.07		
G162 03	101.60	25.40	66.67	34.25	50.80	6.30	5.00	26.92	20.10	57.60	59.40	12.20	13,600	Dimensions in mm
G202 03	127.00											10.76		
G242 03	152.40											9.74		
G282 03	177.80											9.03		
G322 03	203.20											8.45		
G402 03	254.00											7.68		