

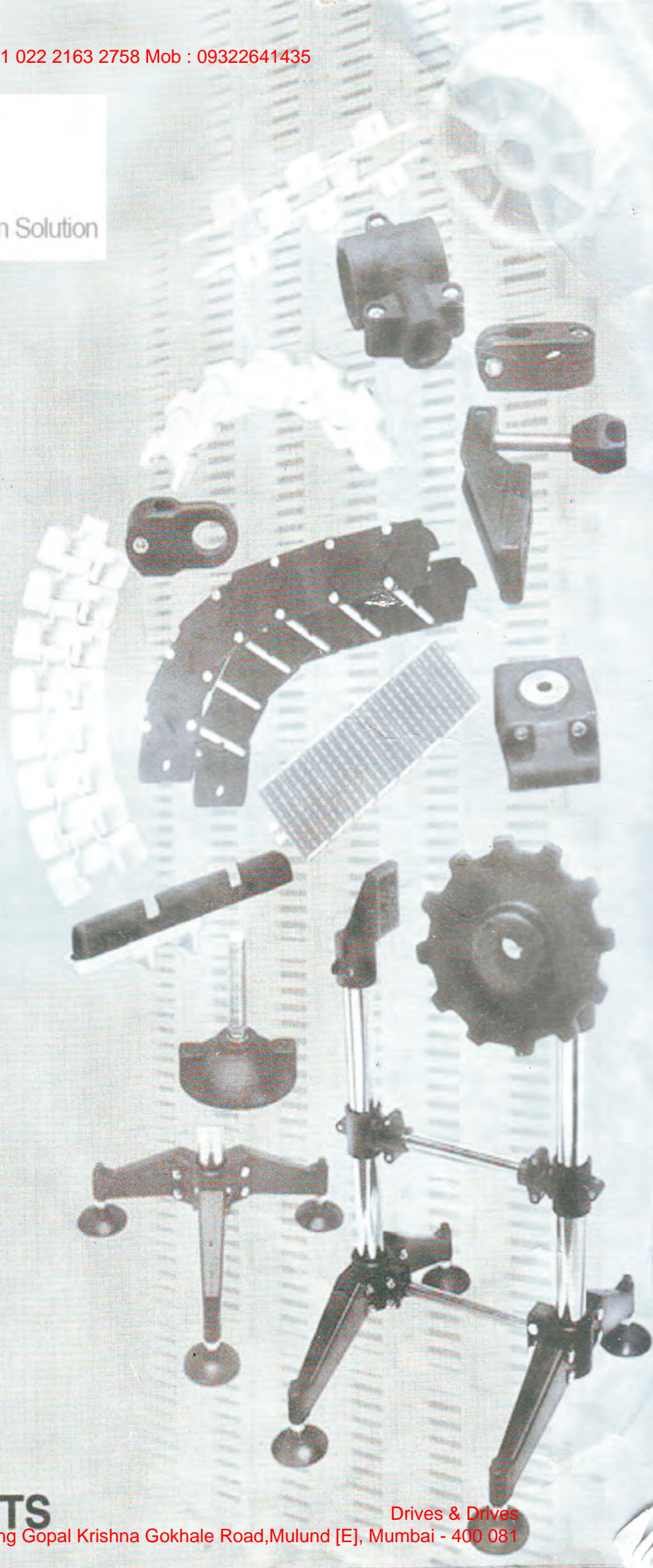
E-mail - dddrives@gmail.com

Tel : +91 022 2163 3694 Tele Fax : + 91 022 2163 2758 Mob : 09322641435



DRIVES & DRIVES

Total Mechanical Power Transmission Solution

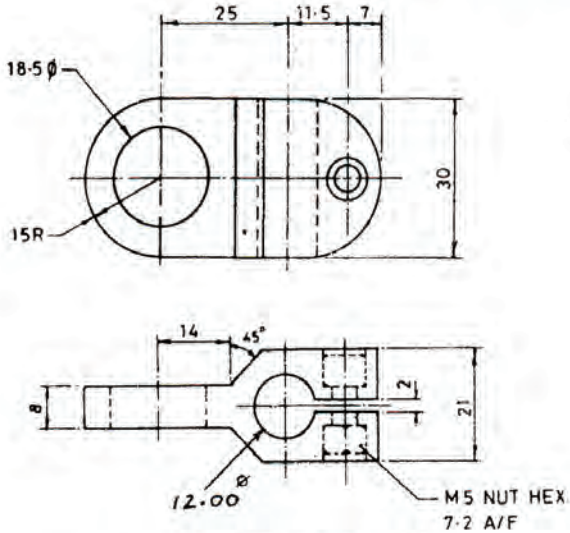


**CONVEYORS
& COMPONENTS**

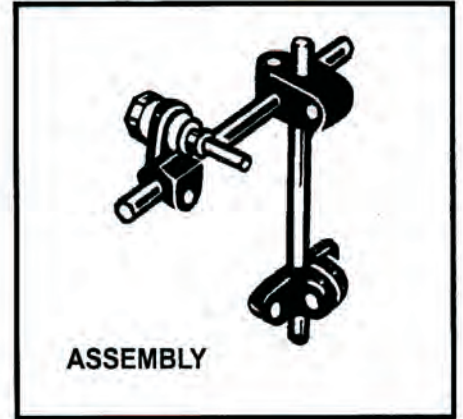
Drives & Drives
Shop NO.12, Arihant Building Gopal Krishna Gokhale Road, Mulund [E], Mumbai - 400 081



REINFORCED POLYAMIDE CLAMPS FOR PHOTOCELLS/SENSORS

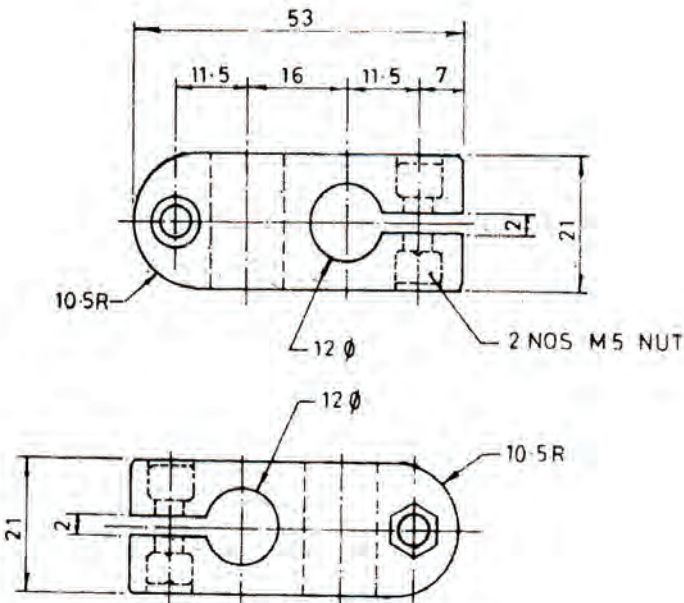


FOR FITMENT
ALLEN SCREW M5 X 16
WITH NUT

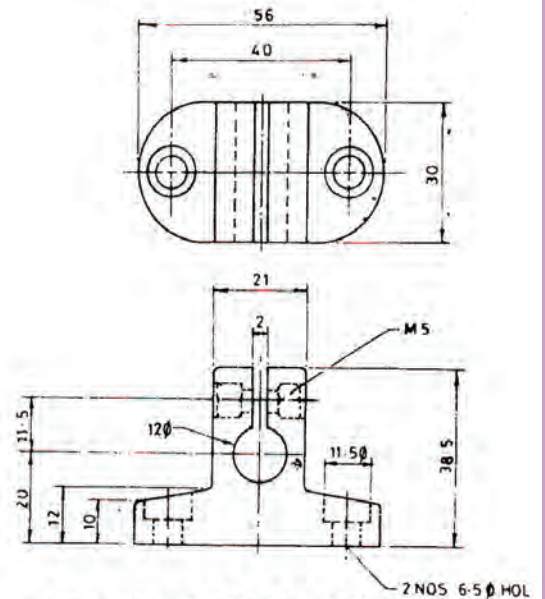


Versatile clamp fittings simple sturdy and easy to install design has eliminated the metal ones. This universal assembly is essential and provides easy access and approach towards the product on line.

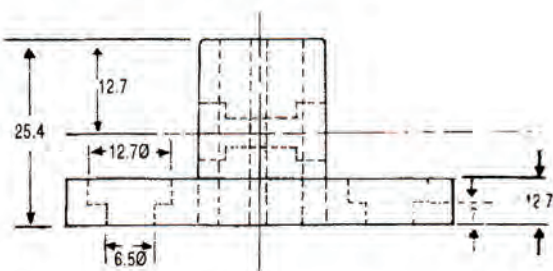
Part No.: 012 CLAMP



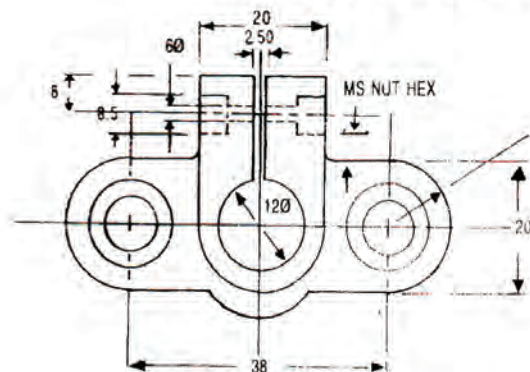
Part No.: 013 CROSS CLAMP

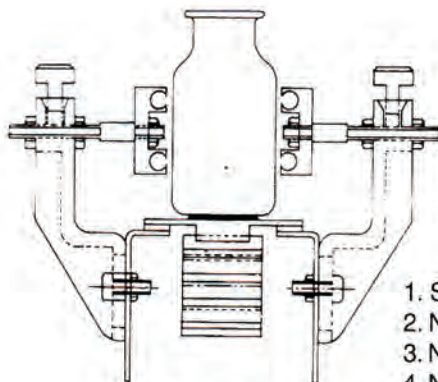


Part No.: 014 T-CLAMP



Part No.: 014 A VERTICAL CLAMP





1. SLATS DELRIN, S.S.
2. NYLON SPROCKETS
3. NYLON HOLDER GUIDE 2"/3"
4. NYLON BRACKET

NYLON BRACKETS & HOLDERS

It's convenient to use and cost efficient. The simple, easy to install design, eliminates the metal ones.

Other accessories may also be mounted using this system. The installation is very simple as shown in the drawing.

PLASTIC DELRIN CHAINS (TEMPERATURE LIMIT 100°C)

Low friction chain slide much more easily under conveyed products, in the event of a back-up on the line. The resulting significant reduction in product damage has made them the chain of choice. This easy and light slide feature also keep specific products from toppling in the case of packing equipment application, which usually call for the chain to remain in motion under products.

Plastic chains also run quieter and stand to steam cleaning, rendering them ideal for use in food service facility of all kinds, because of it's lower co-efficient of friction.

Plastic chains provide excellent performance in application, where lubrication is eliminated. They also minimise energy requirement and product damage in conveying system requiring product accumulation.

PLASTIC CHAIN WITH MINIMUM BACK LINE FORCE

This uniquely featured chain manufactured out of Acetal Thermoplastics for excellent wear and corrosion resistance. This provides a stable Straight Conveying surface, via a series of small closely nylon rollers mounted on to a slat, that protect products

from damage during accumulation by reducing minimum back line force / pressure at the same time providing positive motion with minimum friction in operation.

STAINLESS STEEL CHAINS

Link belt stainless steel top plate chain incorporate advanced metallurgical properties to provide the optimum balance of both wear and corrosion resistance.

Stainless steel has become the preferred standard in the Bottling, Food, Pharmaceutical, Distillery, Dairy, SPM etc., due to it's resistance to such corrosives as industrial bleaches, cleaners and soap as well as soft drinks and beer spillage.

Stainless steel chains also possess excellent high temperature properties, accounting for their use in food service facilities, where conveyor components require daily cleaning and must stand to continuous water baths and elevated temperatures. Stainless steel chains are excellent for applications allowing lubrication and requiring frequent steam cleaning.

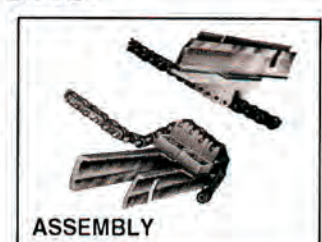
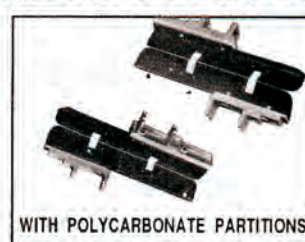
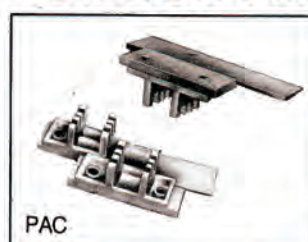
SPROCKETS & GEARS

Sprockets and Gears are manufactured out of high quality Polyamide resins (Nylon) and Acetal resins (Delrin). Sprockets and Gears are available in split design.

Moldex Sprockets increase chain life and efficiency by reducing corrosion and friction. Quite running, shock absorbing, abrasion resistant sprockets improving systems and transmission reliability.

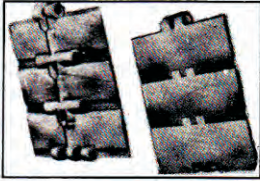
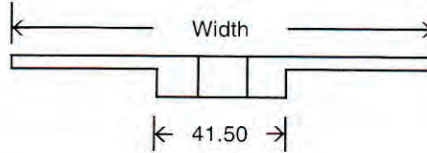
Sprockets tooth from and face widths have been optimised to assure maximum wear life. When a sprocket with an odd number of teeth is used, the tooth engage the chain only every other revolution. Therefore, obviously, Nylon sprockets have been positive substitute to metal.

CARTONATOR POCKETS + PARTITIONS





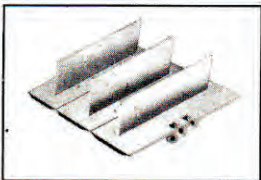
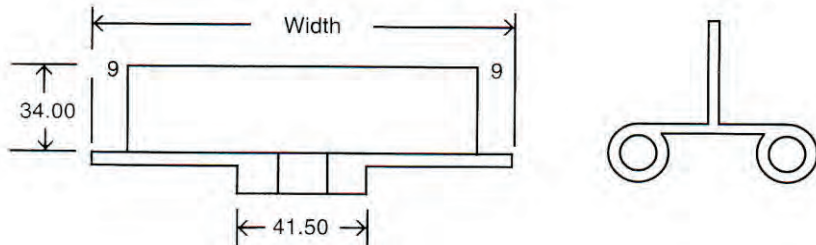
STRAIGHT RUNNING PLASTIC CHAINS



PART NO.	TYPE	MATERIAL	WIDTH (MM)	PITCH (MM)	THICKNESS (MM)	WT. PER FT. (KGS.)
A/SR 0101	STRAIGHT RUNNING	LF ACETAL	76.00	38.10	4.00	0.225
" 0102	"	"	82.00	38.10	4.00	0.250
" 0102A	"	"	88.00	38.10	4.00	0.270
" 0103	"	"	101.00	38.10	4.00	0.275
" 0103A	"	"	114.00	38.10	4.00	0.300
" 0104	"	"	127.00	38.10	4.00	0.325
" 0105	"	"	152.00	38.10	4.00	0.365
" 0105B	"	"	190.00	38.10	4.00	0.600
" 2001	"	"	50.00	38.10	4.00	0.105

For Sprockets please see column TYPE Straight Running Chain page 7.

STRAIGHT RUNNING CHAINS WITH PARTITION 34 MM HEIGHT



PART NO.	TYPE	MATERIAL	WIDTH (MM)	PITCH (MM)	THICKNESS (MM)	WT. PER FT. (KGS.)
A/SRP 0101A	STRAIGHT RUN-	LF ACETAL	76.00	38.10	4.00	0.270
" 0102B	NING	"	82.00	38.10	4.00	0.320
" 0102C	WITH PARTITION	"	88.00	38.10	4.00	0.300
" 0103B	HEIGHT 34.00	"	101.00	38.10	4.00	0.360
" 0103C	"	"	114.00	38.10	4.00	0.430
" 0104A	"	"	127.00	38.10	4.00	0.450
" 0105A	"	"	152.00	38.10	4.00	0.540

For Sprockets please see column TYPE Straight Running Chain page 7.

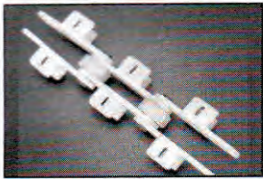
SPECIAL PURPOSE CHAIN WITHOUT ROLLER

PART NO.	TYPE	MATERIAL	WIDTH (MM)	PITCH (MM)	THICKNESS (MM)	WT. PER FT. (KGS.)
SPM 0106	SPM CHAIN	LF ACETAL	100.00	100.00	6.00	0.350

For Sprockets please see column TYPE SPM Chain page 7.



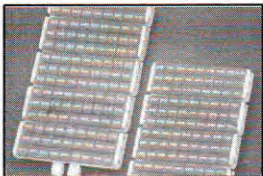
(2)



100.00 PITCH CHAIN WITH NYLON ROLLER 38.00 Ø

PART NO.	TYPE	MATERIAL	WIDTH (MM)	PITCH (MM)	THICKNESS (MM)	WT. PER FT. (KGS.)
R/C 0106A	ROLLER CHAIN	LF ACETAL	100.00	101.60	6.00	0.500
R/C 0106B	"	MS	100.00	101.60	3.00	1.500

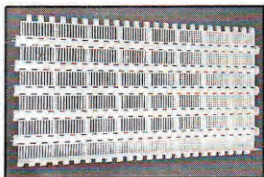
For Sprockets please see column TYPE Roller Chain page 7.



PLASTIC CHAIN WITH MINIMUM BACK LINE FORCE

PART NO.	TYPE	MATERIAL	WIDTH (MM)	PITCH (MM)	THICKNESS (MM)	WT. PER FT. (KGS.)
LPBL 0107	LPBL CHAIN	LF ACETAL & ABS ROLLERS	100.00	38.10	4.00	0.600

For Sprockets please see column TYPE Straight Running Chain page 7.



STACKABLE CHAIN TO DESIRED WIDTH MULTIPLES OF 75.00 M.M. WITH SIDE ROLLERS 25Ø AVAILABLE WITH PARTITION HEIGHT 34 & 70 M.M. + SIDE WALL

PART NO.	TYPE	MATERIAL	WIDTH (MM)	PITCH (MM)	THICKNESS (MM)	WT. PER FT. (KGS.)
SL 0107A	STACKABLE LINK WITH 25Ø ROLLERS	LF ACETAL	75.00	50.80	3.00	0.400

For Sprockets please see column TYPE Stackable Chain page 7.

SECTIONS IN UHMW AVAILABLE SIZE 3 X 25 - 3 X 50 - SNAP SECTION Z SECTION AND CUSTOM MADE



STACKABLE MULTIPLES OF 72.00 M.M.

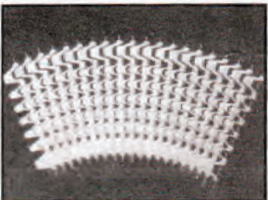
PART NO.	TYPE	MATERIAL	WIDTH (MM)	PITCH (MM)	THICKNESS (MM)	WT. PER FT. (KGS.)
UNI/ST 402	SR/ST	LF ACETAL	72.00	56.00	5.00	---



STACKABLE CHAIN TO DESIRED WIDTH FLAT TOP MULTIPLES OF 100.00

PART NO.	TYPE	MATERIAL	WIDTH (MM)	PITCH (MM)	THICKNESS (MM)	WT. PER FT. (KGS.)
SL/SR 0107B	FLAT TOP STACKABLE	LF ACETAL	100.00	38.10	4.00	0.500

For Sprockets please see column TYPE Straight Running Chain page 7.



UNIVERSAL STACKABLE MULTIPLES OF 25.00 / 37.50 MM

PART NO.	TYPE	MATERIAL	WIDTH (MM)	PITCH (MM)	THICKNESS (MM)	WT. PER FT. (KGS.)
SR/ST 401	UNI/ST	LF ACETAL	25.00	25.00	5.00	---

For Sprockets please see column TYPE UNI / ST page 7.



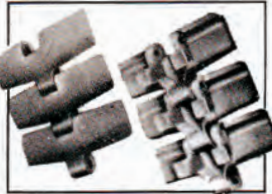
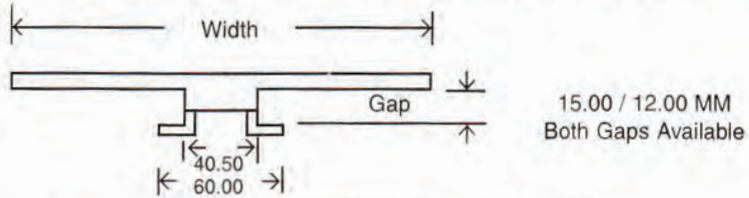
MULTI DIRECTIONAL CHAINS RADIUS 600.00 MINIMUM

PART NO.	TYPE	MATERIAL	WIDTH (MM)	PITCH (MM)	THICKNESS (MM)	WT. PER FT. (KGS.)
A/MD 0118	MULTI DIRECTIONAL	LF ACETAL	50.80	50.80	6.00	0.300
A/MD 0118A	MULTI DIRECTIONAL FLAT SIDES	*	*	*	*	0.400

For Sprockets please see column TYPE Multi Directional & Crescent Top page 7.



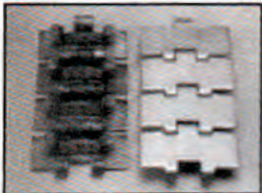
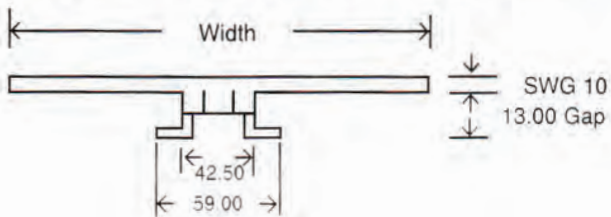
UNIVERSAL CHAIN - (PLASTIC) ACETAL - RADIUS 600.00



PART NO.	TYPE	MATERIAL	WIDTH (MM)	PITCH (MM)	THICKNESS (MM)	WT. PER FT. (KGS.)
A/U 0119	UNIVERSAL	LF ACETAL / S.S.	65.00	38.10	4.00	0.200
" 0120	"	"	82.00	38.10	4.00	0.230
" 0121	"	"	100.00	38.10	4.00	0.260
" 0121A	"	"	114.00	38.10	4.00	0.285
" 0122	"	"	127.00	38.10	4.00	0.300
" 0123	"	"	139.00	38.10	4.00	0.320
" 0123A	"	"	152.00	38.10	4.00	0.360

For Sprockets please see column TYPE Flex + Universal Chain page 7.

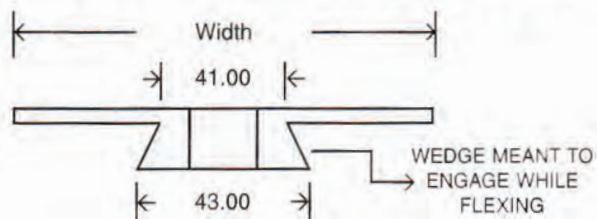
UNIVERSAL CHAIN - SS/MS - RADIUS 600.00



PART NO.	TYPE	MATERIAL	WIDTH (MM)	PITCH (MM)	THICKNESS (MM)	WT. PER FT. (KGS.)
SS/U 0201	UNIVERSAL	S.S.	82.00	38.10	3.00	1.000
" 0202	"	"	88.00	"	"	1.250
" 0203	"	"	101.00	"	"	1.350
" 0204	"	"	114.00	"	"	1.500
" 0205	"	"	152.00	"	"	1.800
" 0206	"	"	177.00	"	"	1.950
" 0207	"	"	190.00	"	"	2.100

For Sprockets please see column TYPE Universal S.S Chain page 7.

FLEX CHAIN - RADIUS 600.00



PART NO.	TYPE	MATERIAL	WIDTH (MM)	PITCH (MM)	THICKNESS (MM)	WT. PER FT. (KGS.)
A/F 0124	FLEX	LF ACETAL	82.00	38.10	4.00	0.330
" 0125	"	"	100.00	38.10	4.00	0.380
" 0126	"	"	114.00	38.10	4.00	0.400

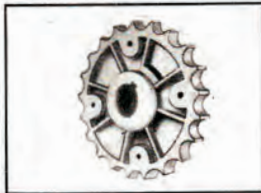
For Sprockets please see column TYPE Flex + Universal Chain page 7.



POLYAMIDE / MS / CI SPROCKETS



PART NO.	TYPE	MATERIAL	WIDTH MM	NO.OF TEETH	PCD	ID	PITCH (MM)	WT. PER PC. (KGS)
MD/SP 0132	FOR MULTIDIRECTIONAL & CRESENT TOP	MS POWDER COATED	11.00	12	196.25	25.00	50.80	3.000
" 0133		"	11.00	18	304.00	25.00	50.80	7.500



PART NO.	TYPE	MATERIAL	WIDTH MM	NO.OF TEETH	PCD	ID	PITCH (MM)	WT. PER PC. (KGS)
A/F-SP0138	FLEX + UNIVERSAL	POLYAMIDE	16.00	17	104.65	19.00	12.70	0.100
" 0139		"	16.00	21	130.00	25.00	12.70	0.150



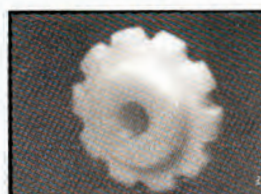
PART NO.	TYPE	MATERIAL	WIDTH MM	NO.OF TEETH	PCD	ID	PITCH (MM)	WT. PER PC. (KGS)
SPM/SP 0140	FOR SPM CHAIN	UHMW	12.70	10	328.80	25.00	100.00	0.900
" 0141	FOR ROLLER CHAIN	"	12.70	12	392.55	25.00	100.00	1.000



PART NO.	TYPE	MATERIAL	WIDTH MM	IDLER FOR	OD	ID	PITCH (MM)	WT. PER PC. (KGS)
P1 0142	DOUBLE FLANGED IDLER	POLYAMIDE	60.00	21 T	130	25.00	-	0.325
" 0143		"	60.00	17 T	106.50	25.00	-	0.300



PART NO.	TYPE	MATERIAL	WIDTH MM	NO.OF TEETH	PCD	ID	PITCH (MM)	WT. PER PC. (KGS)
ST/SP 1050	STACKABLE	PLASTIC	60.00	8	130.00	25.00	50.80	0.600



PART NO.	TYPE	MATERIAL	WIDTH MM	NO.OF TEETH	PCD	ID	PITCH (MM)	WT. PER PC. (KGS)
ST/U/SP 0155	UNIVERSAL SS	MS or UHMW	30/43	17	104.60	19.00	38.10	2.700
ST/U/SP 0155A	UNIVERSAL SS	MS or UHMW	30/43	21	130.00	25.00	38.10	-----



PART NO.	TYPE	MATERIAL	WIDTH MM	NO.OF TEETH	OD	ID	PITCH (MM)	WT. PER PC. (KGS)
SR/SP 0165	STRAIGHT RUNNING	PLASTIC / UHMW	25.00	24	97.20	19.00	12.70	0.100

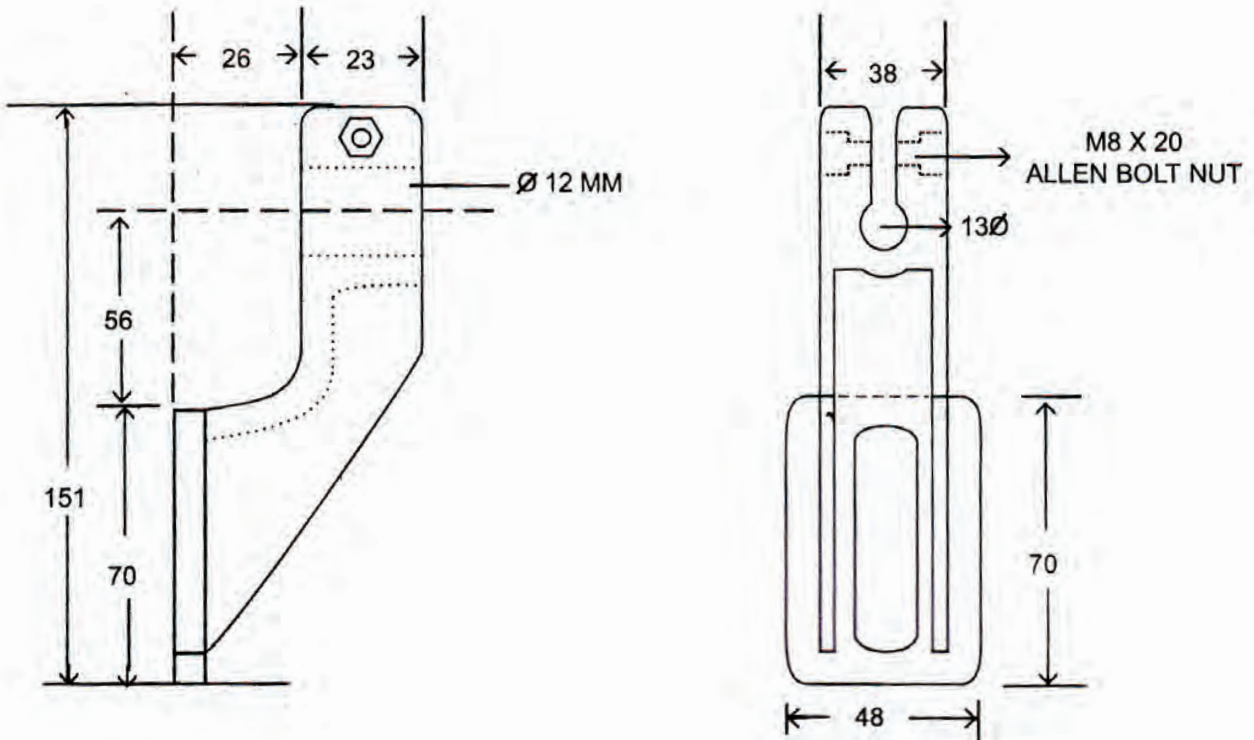


PART NO.	TYPE	MATERIAL	WIDTH MM	NO.OF TEETH	OD	ID	PITCH (MM)	WT. PER PC. (KGS)
0166	UNI / ST	POLYAMIDE / R	5.50	12	101.50	40 MM SQ	25.00	0.060

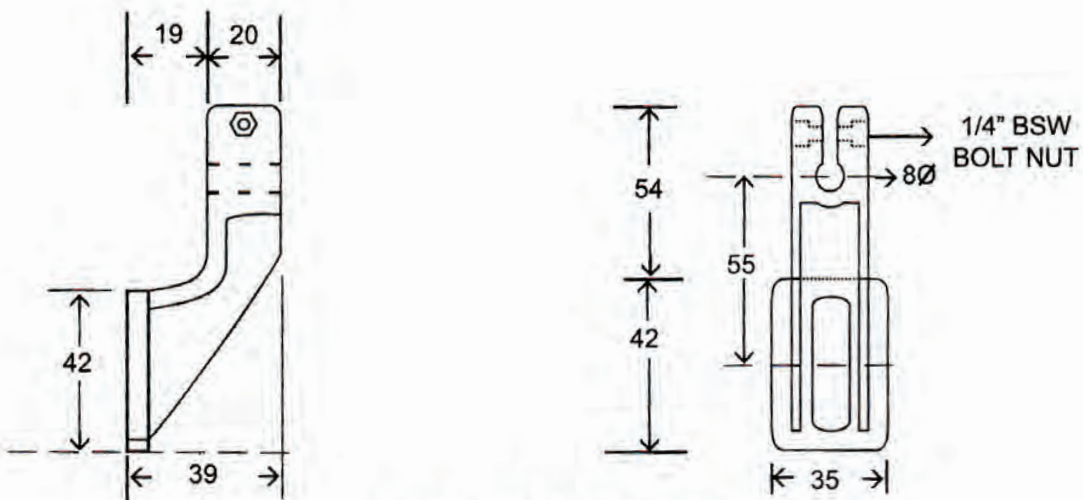
SECTIONS IN UHMW AVAILABLE SIZE 3 X 25 - 3 X 50 - SNAP SECTION Z SECTION AND CUSTOM MADE



POLYAMIDE BRACKETS



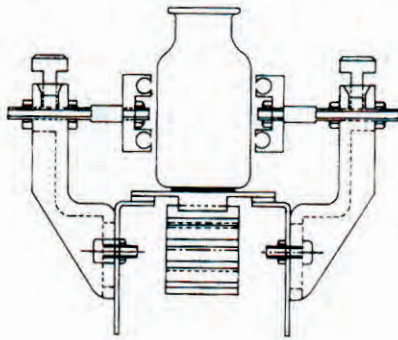
Part No.: 005 Polyamide Bracket



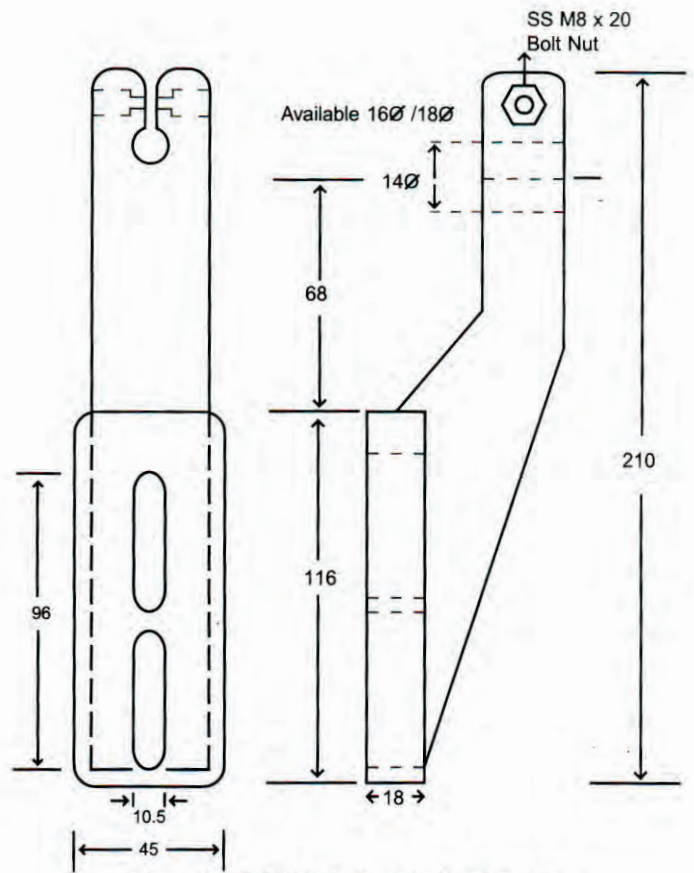
Part No.: 006 Polyamide Bracket



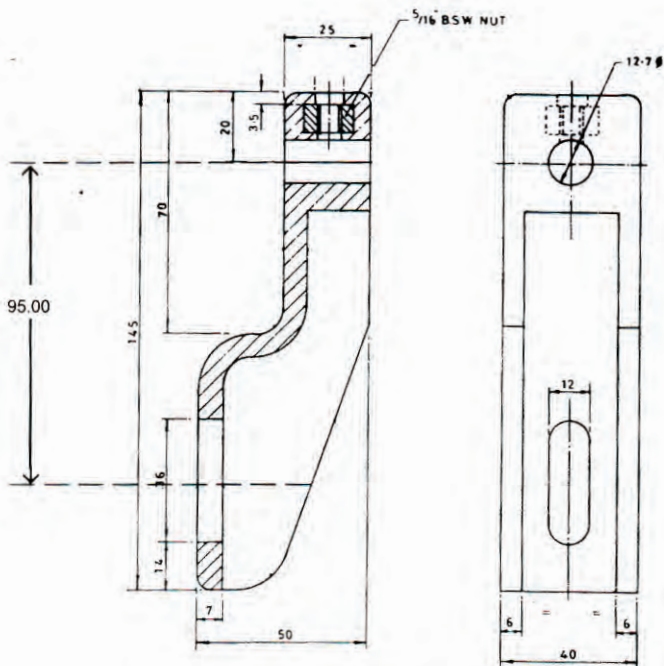
POLYAMIDE BRACKETS



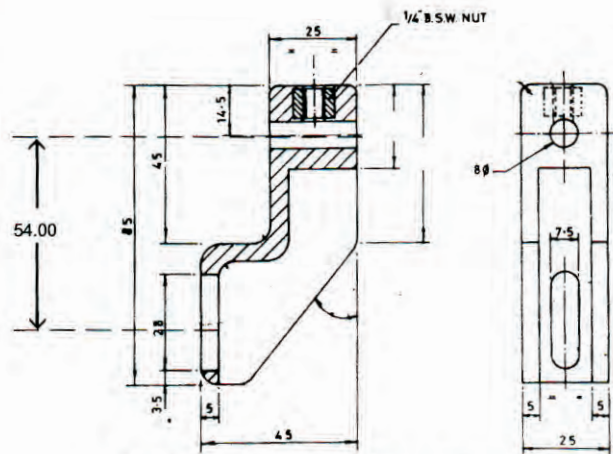
Assembly



**Part No.: 007 Polyamide Bracket
Spacer 15 mm thick available**



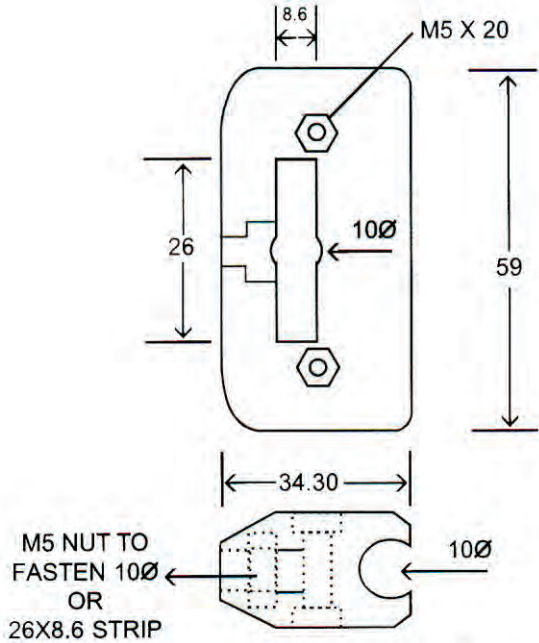
Part No.: 008 Big Polyamide Bracket



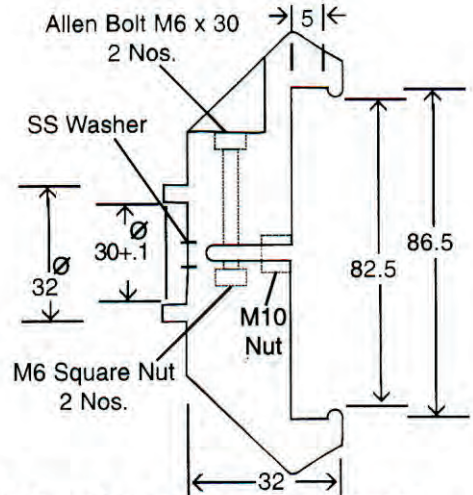
Part No.: 009 Small Polyamide Bracket



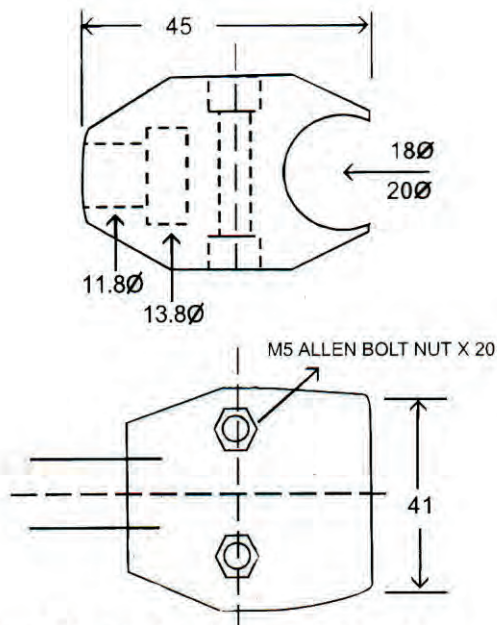
POLYAMIDE HOLDER GUIDE



Part No.: 011 Polyamide Guide



Part No.: 015 Guide Rail Clamp

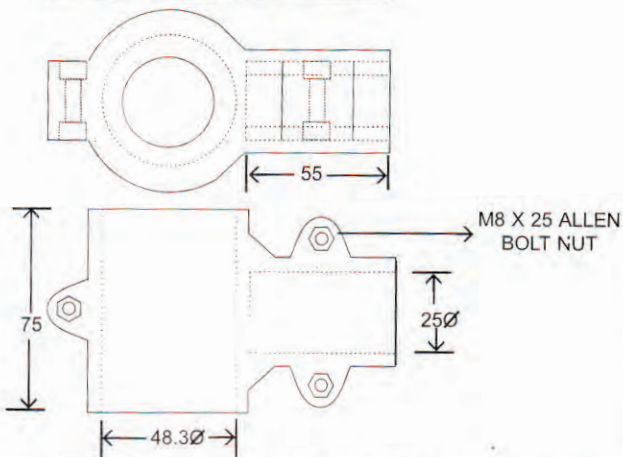
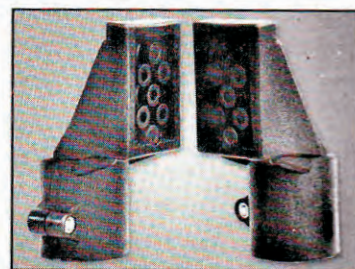
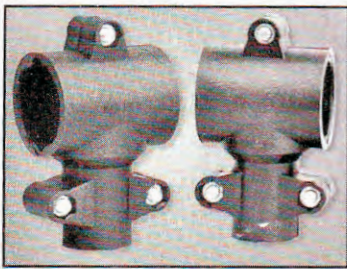
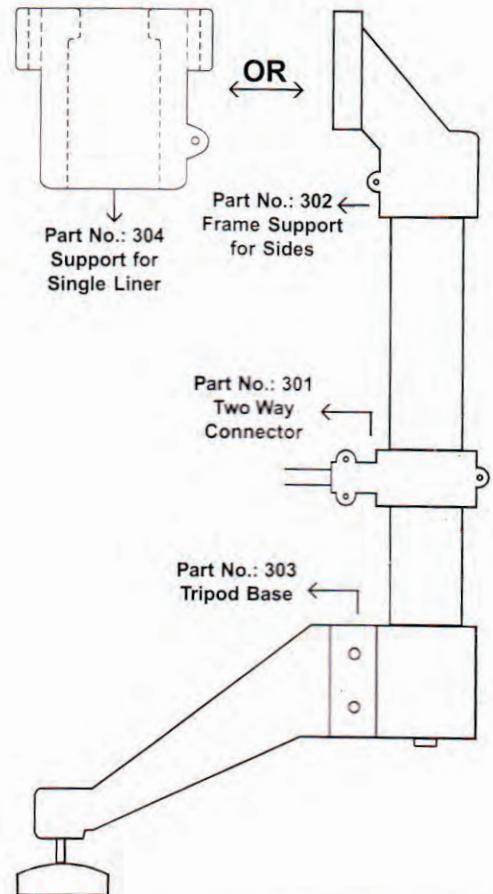
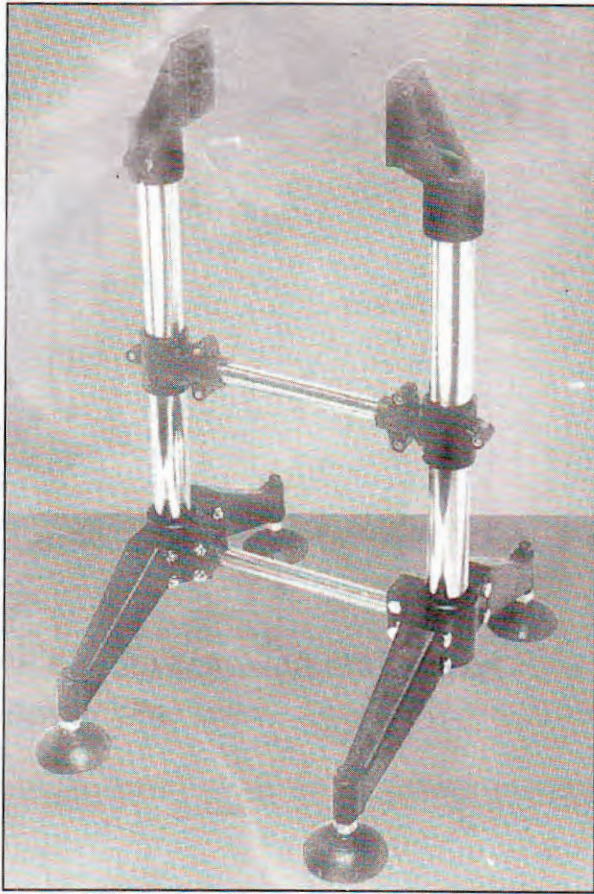


Part No.: 010 Polyamide Guide

**SECTIONS IN UHMW AVAILABLE SIZE 3 X 25 - 3 X 50 - SNAP SECTION
Z SECTION AND CUSTOM MADE**

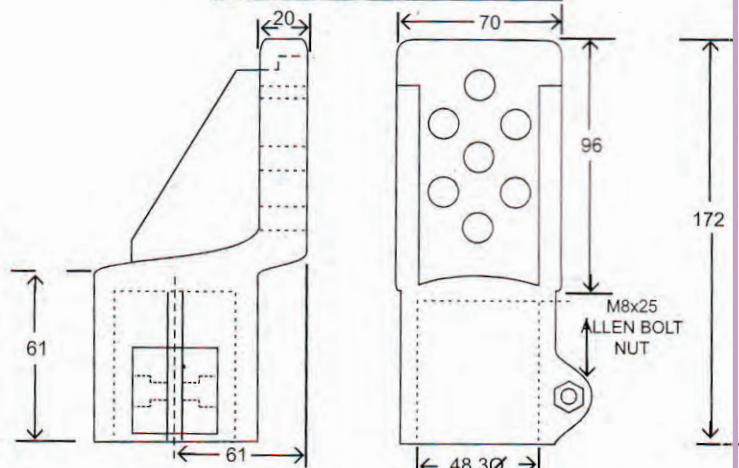


POLYAMIDE SUPPORTS & TRIPOD / BIPOD BASE



Part No.: 301 Polyamide Two Way Connector

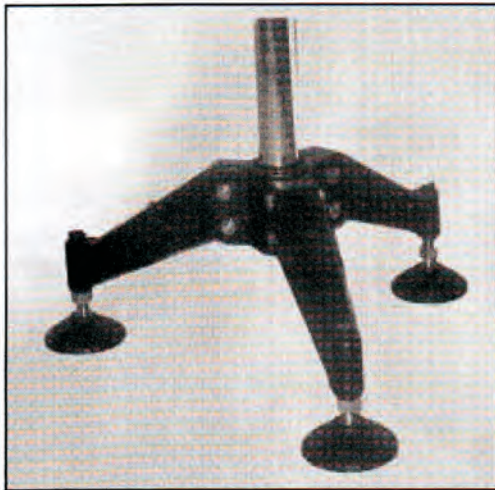
(12)



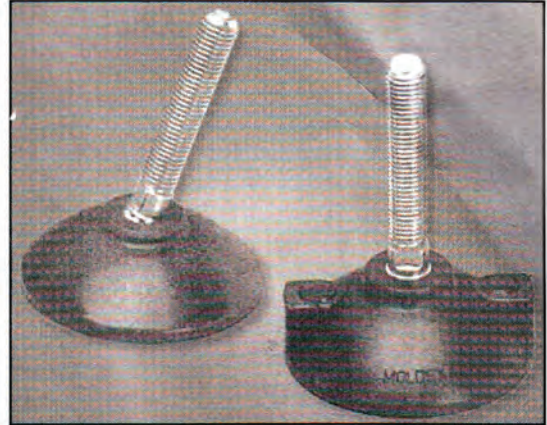
Part No.: 302 Polyamide Frame Support



Part No.: 305 Polyamide Bipod



Part No.: 303 Polyamide Tripod

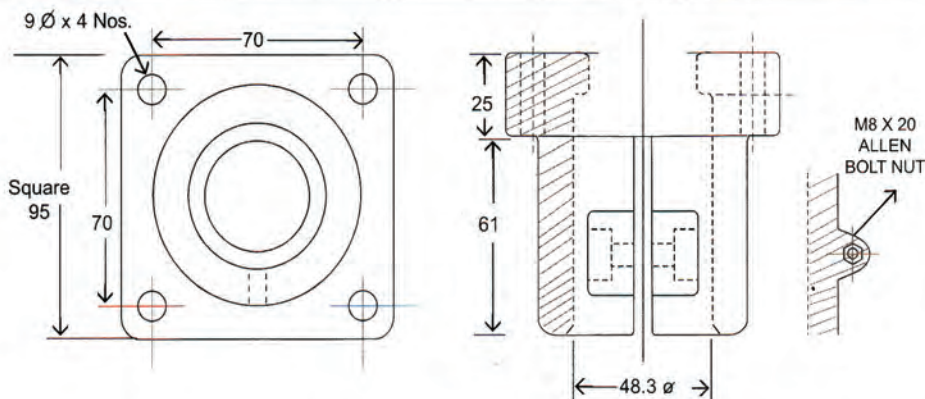
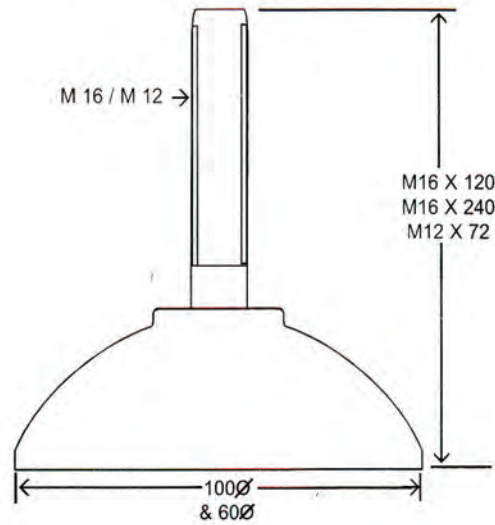
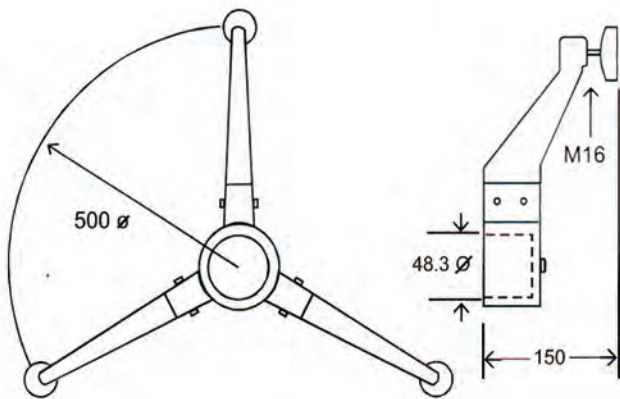


Part No.: 306. Polyamide Foot 100 Ø Bottom with M16 thread - 120 MM Height

Part No.: 307. Polyamide Foot 60 Ø Bottom with M12 thread - 72 MM Height

Part No.: 308. Polyamide Foot 100 Ø Bottom with M16 thread - 240 MM Height

Anti Vibration Pad Available



Part No.: 304 Polyamide Single Liner Bottom Support