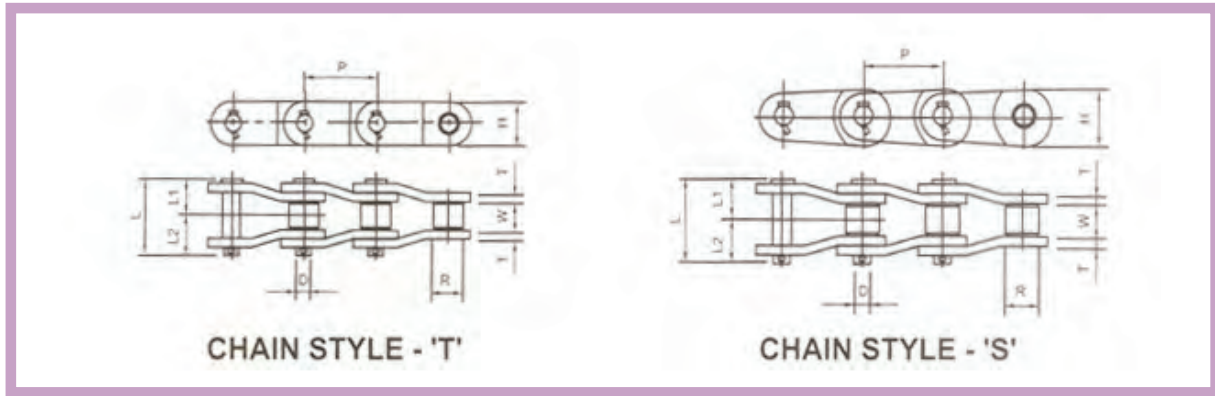


## CRANE CHAINS



## HEAVY DUTY OFFSET SIDE BAR CHAINS

TDC CHAIN NO.	CHAIN STYLE	NO. OF LINKS PER UNIT	PITCH (P)	TENSILE STRENGTH (KGF) (MIN)	AVERAGE WGT PER METRE (KGS)	WIDTH BETWEEN LINK PLATES (W MIN)	ROLLER DIAMETER (R)	PLATE THICKNESS (T)	PLATE HEIGHT (H)	CONNECTING PIN			
										PIN DIA (D)	PIN LENGTH (L)	L1	L2
D03140	T	69	44.45	20400	7.70	25.40	25.40	5.60	43.20	12.15	62.60	28.55	34.05
D03160	T	60	50.80	26000	10.00	31.75	28.58	6.40	49.20	13.73	72.30	33.40	38.90
D-01613AK	T	60	50.80	27000	11.30	31.50	28.58	8.10	42.90	15.06	78.00	36.20	41.80
D03180	T	53	57.15	30850	14.30	36.40	35.72	7.20	54.00	17.46	81.00	37.30	43.70
D025H	S	48	63.50	33750	13.70	38.10	31.75	9.50	41.50	15.88	92.50	43.05	49.45
D01625*	T	48	63.50	36550	16.30	38.90	39.69	8.00	60.30	19.80	89.70	41.40	48.30
D0588	S	46	66.27	12500	5.40	28.60	22.23	6.40	28.60	11.11	67.00	32.00	35.00
D0568*	S	39	77.90	44540	17.70	40.10	41.28	9.50	54.00	19.05	97.00	45.05	51.95
D0568-T	S	39	77.90	42500	17.70	40.10	41.28	9.50	54.00	19.05	97.00	45.05	51.95
D03	S	39	78.11	23550	10.50	38.10	31.75	8.00	38.00	15.88	86.50	40.05	46.45
D03H	S	39	78.11	33750	12.40	38.10	31.75	9.50	41.50	15.88	92.50	43.05	49.45
D03125	S	34	79.38	44200	18.80	41.20	41.28	9.50	54.00	20.32	99.50	45.90	53.60
D01616	S	30	88.90	53975	23.90	38.60	44.45	12.70	54.00	22.23	111.70	51.60	60.10
D03924 - T	S	30	99.21	100300	45.00	38.40	57.15	14.30	82.60	30.16	121.00	56.85	64.15
D05	S	30	103.20	53975	19.90	38.60	44.45	12.70	54.00	22.23	111.70	51.60	60.10
D04	S	30	103.20	53975	21.00	49.10	44.45	12.70	54.00	22.23	122.20	56.85	65.35
D04HF	S	30	103.20	68250	23.20	49.20	44.45	16.00	59.00	22.23	135.70	63.60	72.10
D04HF-T	S	30	103.20	58650	23.20	49.20	44.45	16.00	59.00	22.23	135.70	63.60	72.10
D01245*	S	30	103.45	71900	27.20	49.20	45.24	14.50	60.00	23.80	130.00	60.25	69.75
D01245-T	S	30	103.45	65450	27.20	49.20	45.24	14.50	60.00	23.80	130.00	60.25	69.75
D01343	S	30	103.89	89250	31.90	49.20	47.63	14.50	70.00	25.40	132.00	62.25	69.75
D01343T	S	30	103.89	73525	31.90	49.20	47.63	14.50	70.00	25.40	132.00	62.25	69.75
D01345	S	30	103.89	89250	32.90	49.20	50.80	14.50	70.00	25.40	132.00	62.25	69.75
D01345T	S	30	103.89	73525	32.90	49.20	50.80	14.50	70.00	25.40	132.00	62.25	69.75
D0635*	S	27	114.30	96050	38.30	52.40	57.15	14.50	76.00	27.90	135.50	64.25	71.25
D01634A	S	24	127.00	92650	39.80	58.70	63.50	14.50	76.00	28.63	141.50	67.40	74.10
D01602AA*	S	24	127.00	132600	52.30	70.00	63.50	16.00	90.00	31.75	161.20	77.05	84.15
D06042*	S	20	152.40	175950	71.30	76.30	76.20	19.00	101.60	38.10	184.00	86.70	97.30

Dimensions in mm

1. D03140 & D03160 are specially designed for use where the chains on equipment are subject to heavy twisting and side bow + Cause by operating misalignment.
2. \* Confirms to American National Standards Institute (ANSI)
3. Special heat treatment processes are applied to improve material characteristics.
4. Chains with Induction hardened pin can be supplied on request for wear resistance